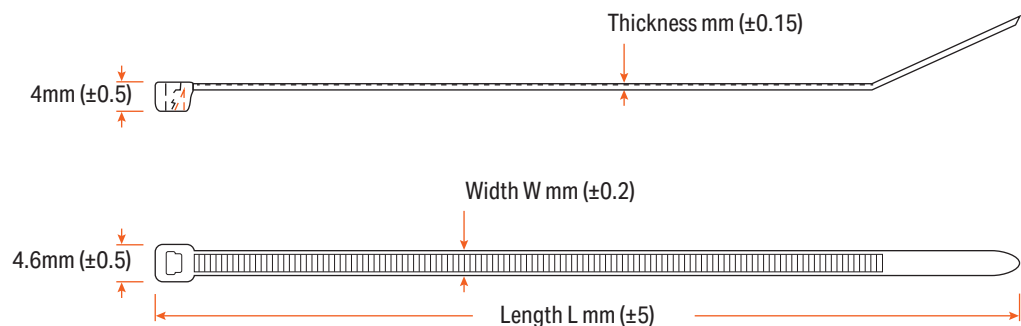
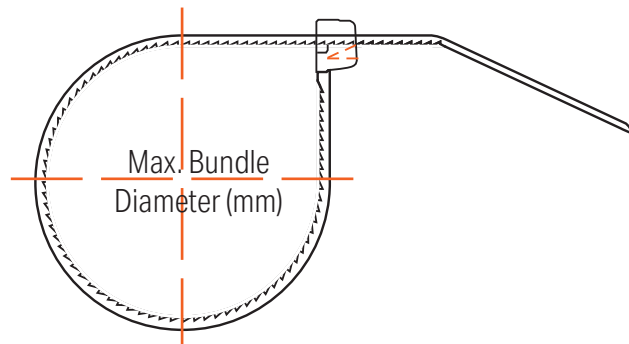
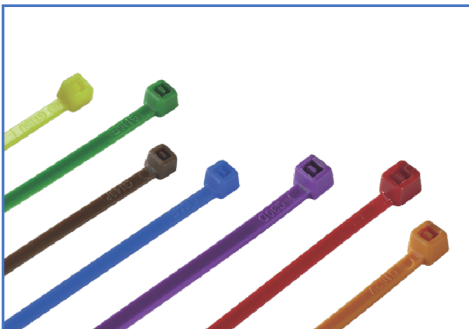


Coloured Cable Ties

Miniature Range

- **Material:** UL approved Nylon 66, 94V-2.
- **Feature:** High tensile strength with low insertion force. Excellent resistance to weathering and ageing. Suitable for a multitude of uses in various industries.
- **Application:** Self-locking for fast and easy application.
- **Operating Temperature:** -40°C to +85°C.



Coloured Cable Ties

Miniature Range

Item No.	Colour	Width W (mm)	Thickness (mm)	Length L (mm)	Max. Bundle Diameter (mm)	Min. Tensile Strength (kg)
TR1-BLUE	Blue	2.5	1.1	100	22	8
TR1-BROWN	Brown	2.5	1.1	100	22	8
TR1-GREEN	Green	2.5	1.1	100	22	8
TR1-ORANGE	Orange	2.5	1.1	100	22	8
TR1-PURPLE	Purple	2.5	1.1	100	22	8
TR1-RED	Red	2.5	1.1	100	22	8
TR1-SILVER	Silver	2.5	1.1	100	22	8
TR1-YELLOW	Yellow	2.5	1.1	100	22	8
TR4-BLUE	Blue	2.5	1.3	200	55	8
TR4-BROWN	Brown	2.5	1.3	200	55	8
TR4-GREEN	Green	2.5	1.3	200	55	8
TR4-ORANGE	Orange	2.5	1.3	200	55	8
TR4-PURPLE	Purple	2.5	1.3	200	55	8
TR4-RED	Red	2.5	1.3	200	55	8
TR4-SILVER	Silver	2.5	1.3	200	55	8
TR4-YELLOW	Yellow	2.5	1.3	200	55	8

STORAGE AND USAGE OF NYLON CABLE TIES

BEAL UK cable ties are made from high quality Nylon 66 resin. Moisture absorption is an essential factor for this material to retain its strength and maintain optimal performance. To this end, it is important for the cable ties to be kept in a sealed package wherever possible.

Below are some helpful storage suggestions:

1. The ideal storage temperature is around 23°C with the humidity over 50%.
2. Do not open the bag before use. Please try to finish the whole package of cable ties shortly after opening or reseal the bag until you are ready to use again.
3. Do not expose directly under sunlight (except UV weather resistant cable ties).
4. Avoid storing cable ties close to warm objects (such as heaters).